

ASPECT PATIO DOORS



— ASPECT™ —
PATIO DOORS
ENERGY SAVINGS, SIMPLIFIED

THE PROFESSIONAL WAY

ProVia® has developed a competitive position by catering to a niche market that demands a high degree of customization coupled with superior quality. You will find attention to detail is what our customers have come to appreciate and expect from us. We're building your products and our company to last a lifetime...that's **The Professional Way**.

**MULTI
TIME**

Partner of the
Year Award



90%+

of Windows and Doors
are ENERGY STAR®
Certified

**remodeling
BRAND
LEADER**

#1 Quality
Rating
Vinyl
Windows

DOORS | WINDOWS | SIDING | STONE | ROOFING



6 Facilities in the United States

900+

Associates Nationwide

Our Mission:

— TO SERVE BY CARING FOR —
DETAILS
IN WAYS OTHERS WON'T

Doing Business Since

1977

19

Core Values

200+

Metric Tons of CO²
Saved Annually

1,900+

Tons of metals, paper, glass and vinyl
recycled annually at ProVia facilities

Visit provia.com to explore all of our products and options or
download the app.





INDUSTRY ASSOCIATION

ProVia is a proud member of the Window & Door Manufacturers Association, which promotes the standards of excellence in the residential window and door industry, and advances these standards among industry businesses with resources designed to provide greater value for their customers.



ACCREDITATION AND TESTING

ProVia's products are voluntarily third party tested and rated in several energy performance categories through the National Fenestration Rating Council and meet or exceed standards governed by the American Architectural Manufacturers Association.



ENERGY STAR®

ProVia manufactures energy efficient products and exercises environmental stewardship by recycling, reducing pollution emissions and much more. In fact, our company has received repeated awards from the Environmental Protection Agency such as Partner of the Year - Sustained Excellence for outstanding efforts in energy savings.

TABLE OF CONTENTS

- Why Choose Vinyl..... 3
- Features..... 4
- Screen Options 6
- Hardware Finishes 8
- Glass Packages 9
- Grid Options 10
- Internal Blinds 10
- Privacy and Tint Glass Options..... 11
- ProVia App 12





WHY CHOOSE VINYL

YOUR VERSATILE PATIO DOOR SOLUTION

Aspect™ patio doors are constructed of an exclusive PVC formula, consisting of a unique mixture of resin and additives. A vinyl extrusion ensures long-lasting color retention and low maintenance, plus the added confidence of a warranty against rotting, cracking, pitting, corroding and peeling. The PVC formula gives the patio door a very durable and rigid frame. The Aspect patio door is a simple product, offering three vinyl colors to suit your needs.

Customize your patio door by choosing the size, number of panels, color, hardware finish and glass package. The design options are virtually endless!

WHAT TO EXPECT WITH YOUR ASPECT PATIO DOOR

Galvanized Steel Reinforced Panels and Sill

Patented Water Drainage System

Multi-Chamber Profiles with the Option to Upgrade to Neopor® Insulation

Patented Sliding System with 4 Adjustable 1" Wheels per Panel

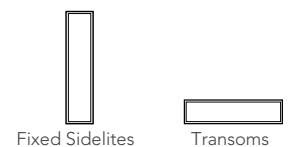
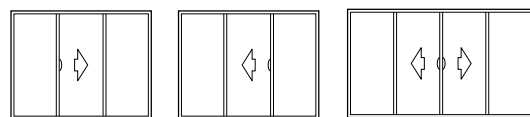
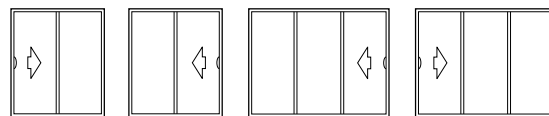
Top-Hung Aluminum Screen Frame with BetterVue® Fiberglass Mesh

Spring-Loaded Screen Latch System Automatically Engages Upon Closing

Perfectly Interlocking Fixed and Mobile Panel Rails

A PATIO DOOR TO FIT YOUR HOME

Two, Three or Four Panel Options



LIFETIME
— LIMITED WARRANTY —

UNDERSTANDING YOUR PATIO DOOR FEATURES

VENTING AND SECURITY

AccuVent™ (Optional)

AccuVent is ProVia's proprietary design featuring a two-part interconnecting system at the sash rail and a ratcheting option at the top of the patio frame giving you multiple venting options. This is an optional feature for Aspect™ patio doors.



AccuVent has a clean, sophisticated look with an ergonomic finger-tipped lever designed for ease of use.

Footlock (Standard)

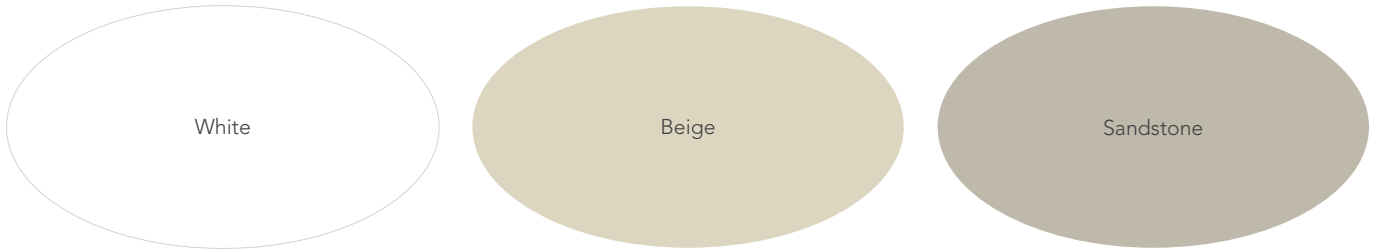


Aspect patio doors are standard with a footlock, giving you added security.



COLOR

Patio doors are available in White, Beige and Sandstone. Interior and exterior will be the same color.



TUFTEX Smooth Cladding Colors Aluminum trim coil with mar-resistant smooth finish.



WEATHERSTRIPPING

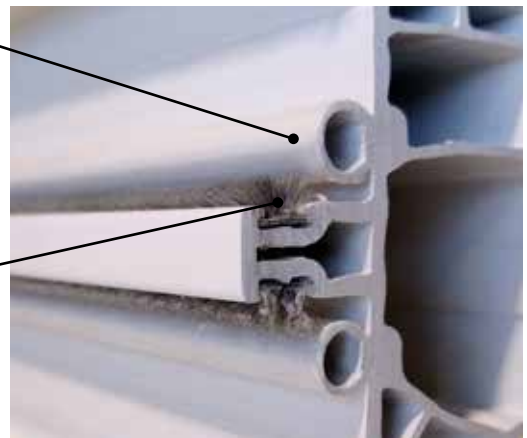
Weatherstripping is a very important part of preventing air from coming into your home. ProVia's patio doors have weatherstripping on the frame and sash, ensuring you get a good seal at the important locations where air could pass through.

Bulb Seal

Bulb seals are seamless closed-cell compression seals that prevent water from penetrating the foam cell structure. Its extruded skin provides a unique UV resistant barrier with design features that enhance the weatherstrip's sealing performance.

Barrier-Fin

Seal woven and extruded pile weatherstripping with fin provides a very effective barrier against air, water, dust and noise, sealing against even and uneven surfaces with resistance to abrasion.



TEST SPECIFICATIONS

Aspect Patio Door 71" x 82"		
Test	Test Specification	Results
Air	AAMA/WDMA/CSA 101/I.S.2/A440-08 par. 5.3.2.2 & ASTM-E283-04	0.04 cfm/ft ²
Water	AAMA/WDMA/CSA 101/I.S.2/A440-08 par. 5.3.3.2 & ASTM-E547-00 (2009)	9.00 psf
Structural	AAMA/WDMA/CSA 101/I.S.2/A440-08 par. 5.3.4.3 & ASTM-E330-02 (2010)	R-DP55 148mph

Test data is a result of sizes shown, configurations and lab conditions of a certified independent third party laboratory.

YOUR SCREEN OPTIONS

STANDARD

BetterVue® Fiberglass

Your Aspect™ patio door will come standard with a top-hung aluminum frame with BetterVue fiberglass mesh, which can be easily removed for regular cleaning and maintenance.

BetterVue screen mesh is very durable and flame retardant, providing an enhanced view, increased insect protection and improved airflow.

Now featuring Phifer's® Water Shed Technology™, which preserves optical clarity by shedding water and resisting dirt and grime.



The Water Shed Technology features a hydrophobic coating that will not wash off, which allows the screen to shed water and debris from a rainstorm or garden hose. This means your screen virtually eliminates window panning, a process by which the water fills the open squares in the screen.

FEATURES



Spring-loaded latch system automatically engages upon closing with its interior locking feature. Picture is shown with BetterVue fiberglass mesh. Heavy-duty fiberglass, stainless steel or aluminum mesh are optional.

OTHER OPTIONS

SeeVue® Stainless Steel

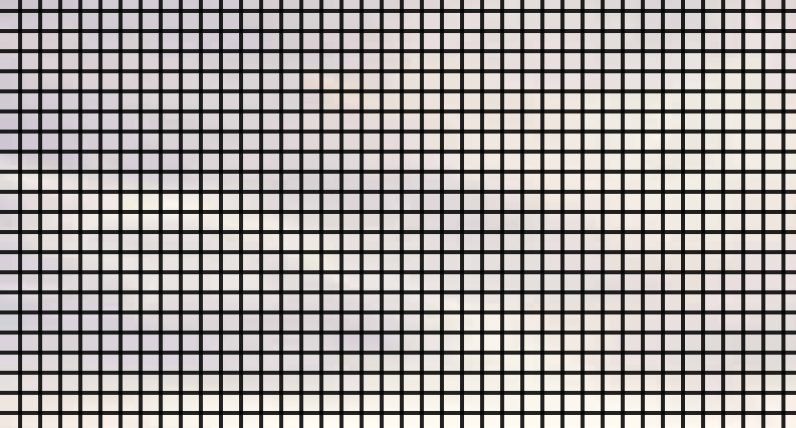
Much stronger than the standard insect screen, this stainless steel screen is excellent for patio door applications. It is black coated for improved visibility and allows superior airflow.

If you're looking for a stronger alternative to the BetterVue screen, upgrade to a SeeVue.

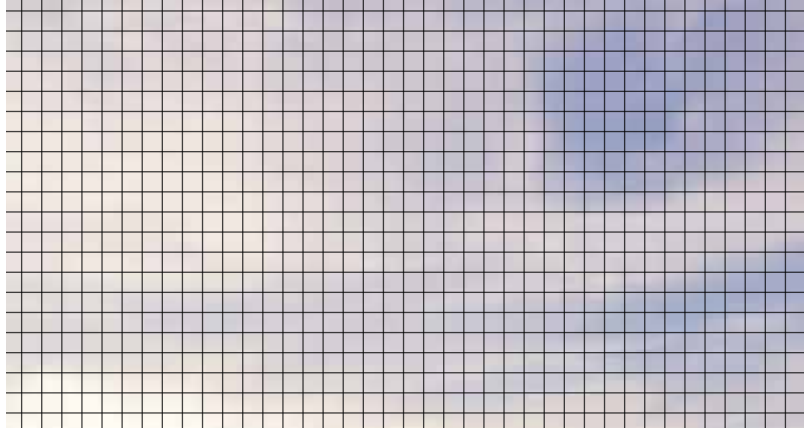
Also available: Aluminum and Heavy Duty Fiberglass Screen Mesh



Suspended by ball bearing rollers, this top-hung heavy-duty aluminum screen frame reduces binding, creating effortless operation.



Industry Standard Insect Screen

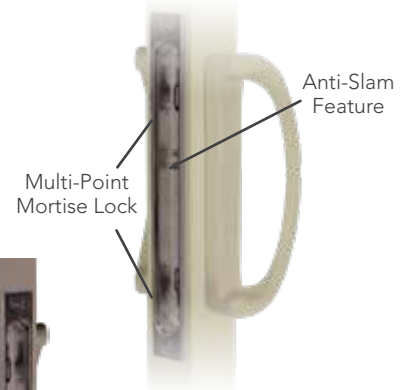


BetterVue Screen



SELECT YOUR HARDWARE FINISH

Aspect™ patio doors come standard with Multi-Point Mortise Lock hardware.



Standard Hardware without Keylock



Optional Hardware with Keylock



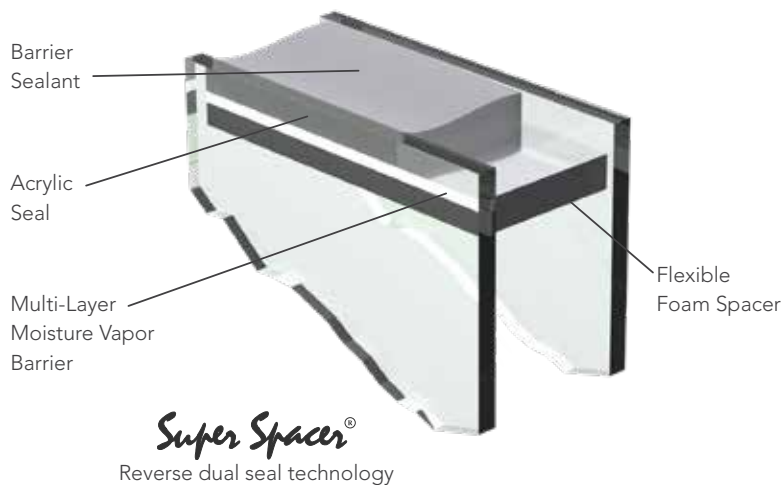
Metallic finish hardware can be keyed alike with ProVia entry door handles and the Sierra and Venice storm door handles. The Schlage C Keyway on all keyed locking handles allow a single key entry for the entire house.

*Flat Bronze coordinates (but is not an exact match) with Aged Bronze accessories.

WHICH GLASS PACKAGE IS RIGHT FOR YOU?

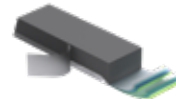
FEATURING COMFORTECH™ WARM EDGE GLAZING SYSTEM

Most of your new patio door is glass. That's why we use the ComforTech Warm Edge Glazing System featuring Super Spacer® on all Aspect™ patio doors. This gives you reduced heat loss, warmer glass temperature and less interior condensation. All ComforTech products have passed stringent testing and are IG Certified to ensure seals are durable and will not leak.



The No-Metal Advantage

Thermal efficiency through no presence of conductive metals is the Super Spacer hallmark.



Mylar 10-Layer Vapor Barrier

The Super Spacer thermoset foam matrix helps keep moisture out, and gas in, making conductivity virtually nonexistent.



Lasting Appearance

Our Warm Edge Glazing System stands up to the natural bending and bowing from temperature changes, barometric pressure and wind load.



Enhanced Noise Reduction

The all-foam formula's excellent sound dampening properties reduce outside noise, even in industrial environments.

WHAT'S THE DIFFERENCE?

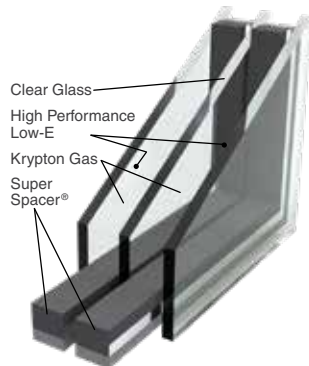
Krypton Gas

Inert to glass coatings, heat and spacers, krypton gas has the lowest conductivity of any gas used and raises the inner glazing temperature. This gas performs best in small chambers, making it the best choice for triple-glazed glass packages.

Argon Gas

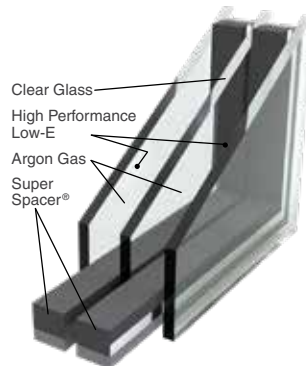
Chemically inert to UV radiation, argon gas insulates better than air. It is sunlight stable, non-corrosive and non-toxic, making it the best choice for double-glazed glass packages.

ComforTech™ TLK



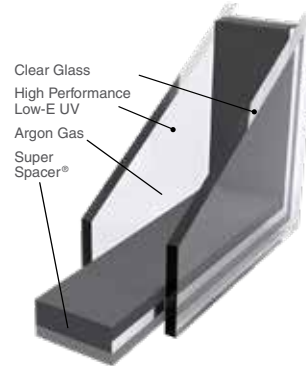
R-Value of 9

ComforTech™ TLA



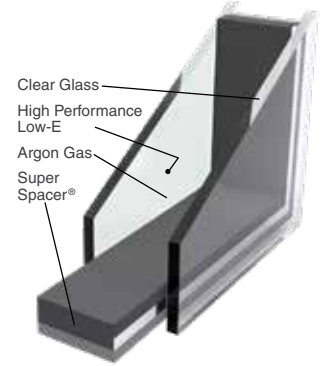
R-Value of 6

ComforTech™ DLA-UV



R-Value of 4

ComforTech™ DLA



R-Value of 4

R-Values are based on center of glass data only. Actual values may be affected by the window package chosen.

STYLE YOUR PATIO DOOR WITH GRIDS

Internal Grids

If you like the look of grids, but prefer not to clean around them, these internal grid options give you the same look and feel, without the hassle.



Contoured

Flat

V-Groove



Cottage

Colonial

Prairie

Grids are available in many configurations of Cottage, Colonial and Prairie styles.



Double Glazed Glass

Internal grids with double glazed glass are placed between two panes of glass.



Triple Glazed Glass

Internal grids with triple glazed glass are placed between two glass panes with the added efficiency of a third pane.

ADD WHITE INTERNAL BLINDS

If cleaning dusty blinds makes you cringe, be sure to add internal blinds to your patio door. These blinds are made with sturdy aluminum and are custom-fit to the exact dimensions of each patio door.

Internal blinds can be lifted up, or simply tilted, depending on your lighting and privacy needs.



Exterior View



Interior View of Blinds with Operator

Tilt blinds with the top lever

Move blinds up and down with the bottom lever

*Internal Blinds come with a **10-year Limited Warranty.***

Allow for additional lead time on your patio door order.

Not available in 50" x 80" or 96" x 80" sizes.

Blind Slats are 1/2" Wide



Blinds with Low-E on surface 2 & 4 are ENERGY STAR® Certified nationwide.

Both blinds and internal grids are not available together

ADD EXTRA PRIVACY AND TINT TO YOUR PATIO DOOR

Privacy Options

Choose from five different types of glass if you need light to filter in, yet want to maintain privacy. These glass styles look great in rooms where privacy is important. Regardless of where it is used, privacy glass reduces the likelihood of needing extra patio door coverings.



CHINCHILLA



TAFFETA



WATERFALL



GLUECHIP



OBSCURE PEBBLE

Actual privacy levels will vary depending on your distance from the glass and also the amount of light in the room in comparison to the light outside your home. For extra privacy, choose two panes of privacy glass, rather than just one.

Tint Options

Our tinted glass can help reduce UV transmittance, solar heat gain and glare. Tinted glass options can give a room a whole new look, providing its own unique set of benefits. Be sure to choose the right one for you.



Solargray® Gray Tint

- Excellent glare control
- Exceptional protection against interior fabric and color fading
- Ultraviolet light protection



Solarbronze® Bronze Tint

- High visible light transmittance
- Warm glow to interior décors
- Complements brick and stone
- Ultraviolet light protection



Solexia® Green Tint

- Subdues interior brightness
- High visible light transmittance



Azuria® Blue Tint

- Low shading coefficient
- High visible light transmittance
- Solar performance (reduces solar heat gain)



SHOW US YOUR STYLE AND CONNECT WITH US!

We love seeing how you apply our products to your home. Share photos with us.



CREATE YOUR DREAM HOME

WITH PROVIA'S EXTERIOR HOME DESIGN TOOLS

Find inspiration for the exterior of your home.
Download ProVia's free app for iPad or try the online Visualizer at provia.com/visualizer.



PROVIA VISUALIZER

Use ProVia's Visualizer to change the colors and styles of your home's doors, windows, siding, stone and roofing.

Let your imagination run free with this exterior home design tool. Select from a library of existing home styles, choosing one to match yours, or upload a photo of your own home.

In a few easy steps, update your siding color, add manufactured stone or a metal roof, give the windows a fresh look or personalize a new entry door.

Not sure where to start? Apply one of our pre-selected Designer Collections, then further customize the selections to reflect your own personal style.



PROVIA APP

Use the ProVia app to configure doors and windows or select from an extensive collection of vinyl siding and manufactured stone styles.

FEATURES

Door and Window Configurator

Vinyl Siding Profiles, Colors and Accessory Accents

Manufactured Stone Styles, Color Palettes and Grout Options

View Videos, Photo Galleries and Catalogs

Locate a ProVia Dealer





"To serve, by caring for details in ways others won't." It's not just our mission, but a way of letting our light shine every day at ProVia®. We continually strive to put these words into action by providing unmatched quality and service. The P-icon symbolizes each employee's commitment to devoting the utmost care, pride and quality into each building product we manufacture...it's The Professional Way.



At ProVia, we manufacture energy efficient products and exercise corporate environmental stewardship by recycling, reducing pollution emissions and much more. In fact, our company has received repeated awards from the Environmental Protection Agency such as Partner of the Year - Sustained Excellence for outstanding efforts in energy savings.

Distributed by:

